

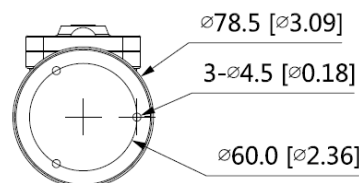
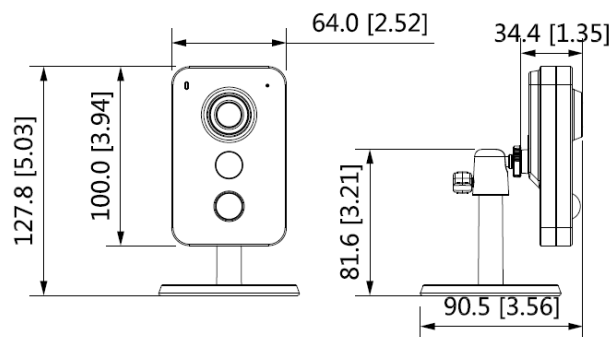
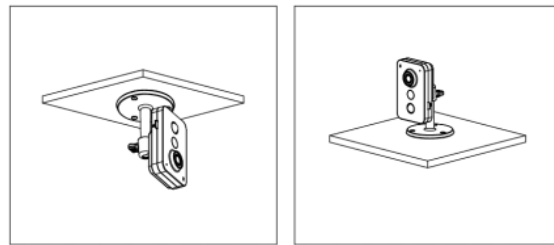


INSWK42 | 4MP IR Network Camera

Unify your Security Solution

With its excellent performance-cost ratio, this ip camera is ideal for any small to medium-sized scenes: your home, small retail stores, your cottage, you name it! The INSWK42 is equipped with the Inaxsys smart illumination technology which allows you to display an image in a completely dark environment. Combine this feature with its integrated motion detection function and you'll have a great security solution!

- 4MP, 1/3" CMOS image sensor, low illuminance, high image definition
- Max. IR distance: 10 m
- Rotation mode, WDR, 3D DNR, HLC, BLC
- Alarm: 1 in, 1 out; 256 G SD card, built-in Mic and speaker
- Supports 256 G Micro SD card
- Supports Wi-Fi



Technical Specifications

Camera					
Image Sensor	1/3"4Megapixel progressive CMOS				
Effective Pixels	2560 (H) × 1440 (V)				
RAM/ROM	128MB/128MB				
Scanning System	Progressive				
Electronic Shutter Speed	Auto/Manual 1/3 s–1/100,000 s				
Minimum Illumination	0.0141 Lux at F2.0 (Color, 80 IRE); 0.0116 Lux at F2.0 (W/B, 80 IRE); 0 Lux (IR on)				
IR Distance	10 m (32.8 ft)				
IR LEDs	1				
Camera Features					
Day/Night	Auto(ICR) / Color / B/W				
Backlight Compensation	BLC / HLC / DWDR				
White Balance	Auto / natural / street lamp / outdoor / manual / regional custom				
Gain Control	Auto/Manual				
Noise Reduction	3D DNR				
Privacy Masking	4 Areas				
Lens					
Lens Type	Fixed-focal				
Mount Type	M12				
Focal Length	2.8mm				
Max. Aperture	F2.0				
Viewing Angle	Horizontal: 97° Vertical: 52° Diagonal: 116°				
Pan/Tilt/Rotation	Pan: 0°–360°; Tilt: 0°–90°				
DORI Distance	Lens	Detect	Observe	Recognize	Identify
	2.8mm	56.0 m (183.7ft)	22.4 m (73.5 ft)	11.2 m (36.7 ft)	5.6 m (18.4 ft)
Video					
Compression	H.265; H.264; H.264B; MJPEG				
Resolution	4M (2560 × 1440); 3M (2304 × 1296); 1080p (1920 × 1080); 1.3M (1280 × 960); 720p (1280 × 720); VGA (640 × 480); 640 × 360; QVGA (320 × 240)				
Frame Rate	Main Stream: 2560 × 1440 at 25 fps				
	Sub stream: 640 × 480 at 25 fps				
Bit Rate	H.264: 184 kbps–6144 kbps H.265: 73 kbps–6144 kbps				
Audio					
Compression	AAC; G.711a; G.711Mu				
Built-in Microphone	Yes				

Technical Specifications

Alarm	
Alarm Event	No SD card; SD card full; SD card error; network disconnection; IP conflict; illegal access; voltage detection; motion detection; video tampering
Alarm Input	1 channel in: 5mA 3V–5V DC
Alarm Output	1 channel out: 300mA 12V DC
Network	
Ethernet	RJ-45 (10/100 Base-T)
Protocol	HTTP; TCP; ARP; RTSP; RTP; UDP; RTCP; SMTP; FTP; DHCP; DNS; IPv4/v6; QoS; NTP
Wi-Fi	Yes
SDK and API	Yes
Storage	Micro SD card up to 256GB
Maximum User Access	20
Smart Phone	iOS, Android
General	
Power Supply	12V DC
Power Consumption	Max 3.3W (12V DC)
Working Environment	-10°C to +45°C (14°F to +113°F); Less than 95%RH
Dimensions	Φ78.5 mm × 90.5 mm × 127.8 mm (3.1" × 3.6" × 5.0") (L × W × H)